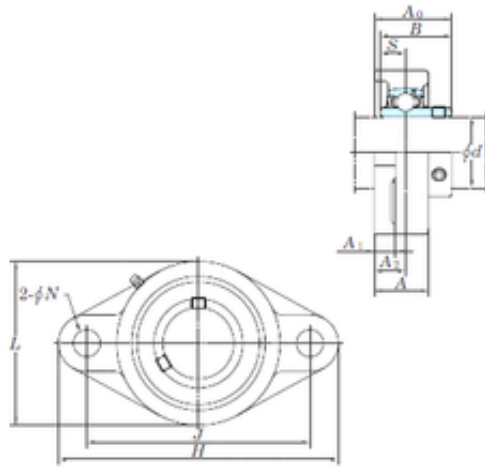




# Shandong Zhaoyue Bearing Co., Ltd.



## KOYO UCFL311 bearing units

Bearing No. UCFL311

Bore Diameter	55 mm
d	55 mm
A0	71 mm
A	52 mm
A1	20 mm
B	66 mm
H	250 mm
J	198 mm
L	150 mm
N	25 mm
S	25 mm
A2	30 mm
Weight	5,3 Kg
Basic static load rating (C0)	71,6 kN
Bearing No.	UCFL311
Bolt size	M22
Cr	71.6
C0r	45.0
f0	13.2
(Refer.)Unit mass(kg)	5.3
Nipple size	R1/8

UCFL311 Bearing 2D drawings and 3D CAD models