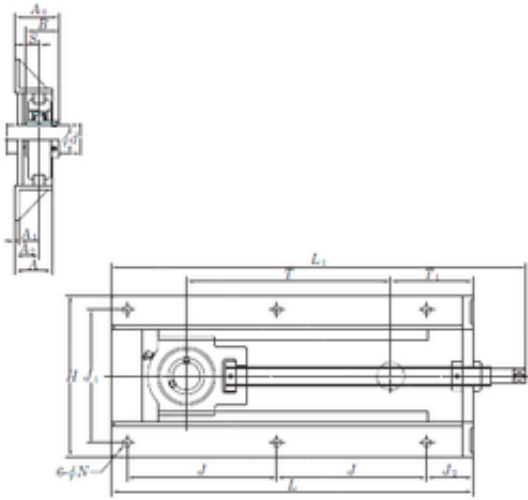




# Shandong Zhaoyue Bearing Co., Ltd.

## KOYO UCTH206-150 bearing units

Bearing No. UCTH206-150



UCTH206-150 Bearing 2D drawings and 3D CAD models

Bore Diameter	30 mm
Width	100 mm
d	30 mm
A0	54,2 mm
T1	100 mm
A	50 mm
A1	6 mm
B	38,1 mm
H	213 mm
J	126 mm
L	336 mm
L1	407 mm
N	12 mm
S	15,9 mm
T	143 mm
Bolt (G)	M10
A2	32 mm
J1	166 mm
J2	65 mm
Weight	8 Kg
Basic dynamic load rating (C)	19,5 kN
Basic static load rating (C0)	11,3 kN