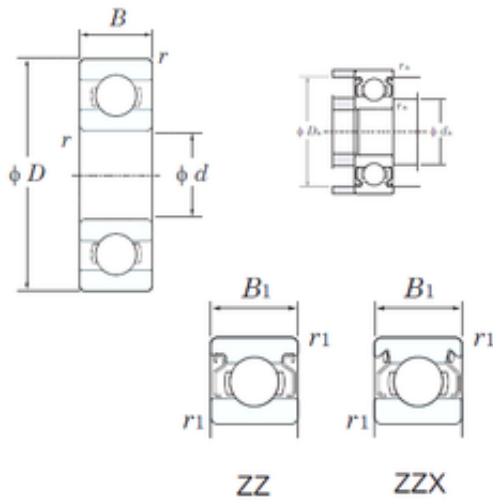




Shandong Zhaoyue Bearing Co., Ltd.



2 mm x 7 mm x 3 mm KOYO WML2007ZZX
deep groove ball bearings

Bearing No. WML2007ZZX

Size	2x7x3 mm
Bore Diameter	2 mm
Outer Diameter	7 mm
Width	3 mm
d	2 mm
D	7 mm
B	3 mm
C	3 mm
r min.	0,15 mm
r1 min.	0,15 mm
da min.	3,2 mm
Da max.	5,8 mm
ra max.	0,15 mm
Weight	0,0004 Kg
Basic dynamic load rating (C)	0,39 kN
Basic static load rating (C0)	0,13 kN
(Grease) Lubrication Speed	67000 r/min

WML2007ZZX Bearing 2D drawings and 3D CAD models