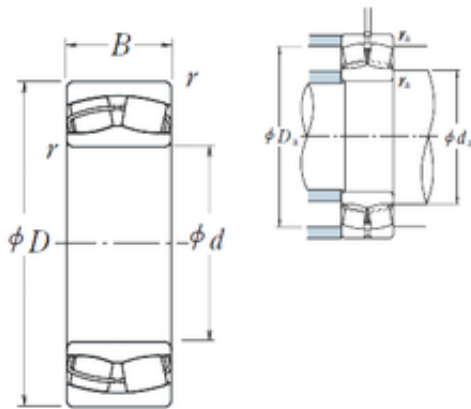




Shandong Zhaoyue Bearing Co., Ltd.



140 mm x 250 mm x 68 mm NSK 22228CDE4 spherical roller bearings

Bearing No. 22228CDE4

22228CDE4 Bearing 2D drawings and 3D CAD models

Size	140x250x68 mm
Bore Diameter	140 mm
Outer Diameter	250 mm
Width	68 mm
d	140 mm
D	250 mm
B	68 mm
C	68 mm
r min.	3 mm
da min.	154 mm
da max	167 mm
Da min	219 mm
Da max.	236 mm
ra max.	2,5 mm
Weight	14,5 Kg
Basic dynamic load rating (C)	645 kN
Basic static load rating (C0)	930 kN
(Grease) Lubrication Speed	1400 r/min
(Oil) Lubrication Speed	1700 r/min
Calculation factor (e)	0,25
Calculation factor (Y0)	2,6
Calculation factor (Y2)	4
Category	Spherical Roller Bearings
Inventory	0.0
Manufacturer Name	NSK



Shandong Zhaoyue Bearing Co., Ltd.

Minimum Buy Quantity	N/A
Weight / Kilogram	14.39
EAN	0029176020230
Product Group	B04311
Internal Clearance	C0-Medium
Mounting Method	Shaft Mount
Rolling Element	Spherical Roller Bearing
Bore Profile	Straight
Cage Material	Steel
Enclosure	Open
Number of Rows of Rollers	Double Row
Relubricatable	Yes
Withdrawal Sleeve	Not Applicable
Inch - Metric	Metric
Long Description	140MM Straight Bore; 250MM Outside Diameter; 68MM Width; C0-Medium Clearance; Shaft Mount; Double Row of Spherical Roller Bearings; Steel Cage Material; Open Enclosure; Relubricatable
Category	Spherical Roller Bearing
UNSPSC	31171510
Harmonized Tariff Code	84823080
Noun	Bearing
Keyword String	Spherical
Manufacturer URL	http://www.nskamericas.com
Manufacturer Item Number	22228CDE4
Weight / LBS	14.39
Adapter Part Number	Not Applicable Inch Not Applicable Millimeter
Outside Diameter	9.843 Inch 250 Millimeter
Width	2.677 Inch 68 Millimeter



Shandong Zhaoyue Bearing Co., Ltd.

Bore	5.512 Inch 140 Millimeter
bore diameter:	140 mm
maximum rpm:	1700 RPM
outside diameter:	250 mm
operating temperature range:	Maximum of +200 ° C
overall width:	68 mm
cage material:	Steel
bore type:	Straight
bearing material:	Steel
outer ring type:	Not Split
cage type:	Inner Ring Guided
internal clearance:	C0
precision rating:	RBEC 1 (ISO Class Normal)
closure type:	Open
finish/coating:	Uncoated
lubrication hole type:	Lubrication Groove & Hole
outer ring width:	68 mm
dynamic load capacity:	645000 N
fillet radius:	3 mm
static load capacity:	930000 N
series:	222
Y3	2.7
hidYobi	22228CDE4
LangID	1
Y1	2.7
D_	250
Y2	4
Macha rpm	0
B_	68
da min	154
hidTable	ecat_NSSPHR



Shandong Zhaoyue Bearing Co., Ltd.

Oil rpm	1700
Y0	2.6
mass	14.5
GRS rpm	1400
ra	2.5
TSR rpm	2600
C0	930
DE_	224.873
X0	1
Prod_Type3	SRB_CTB_CB
X1	1
X2	0.67
SIR	25.33
e	0.25
DA_	27.5
bomp	22228CDE4
Z_	19
ALP2	30
ALP1	9
ALP3	0
D_a max	236
D_a min	219
yobi	22228CDE4
ALPHA_	0.166
SDM_	197.75
r	3
KBRG	2321
SBRG	22
DI_	170.627