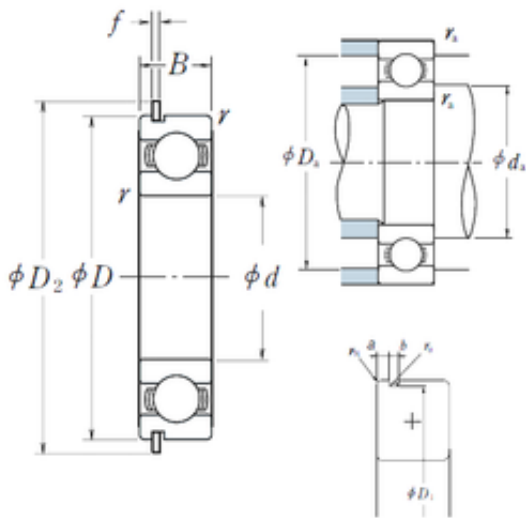




## Shandong Zhaoyue Bearing Co., Ltd.



60 mm x 95 mm x 18 mm NSK 6012NR deep groove ball bearings

Bearing No. 6012NR

6012NR Bearing 2D drawings and 3D CAD models

Size	60x95x18 mm
Bore Diameter	60 mm
Outer Diameter	95 mm
Width	18 mm
d	60 mm
D	95 mm
B	18 mm
C	18 mm
rn	0,5 mm
a	2,87 mm
b	2,7 mm
f	2,46 mm
r min.	1,1 mm
r0 max.	0,6 mm
D1	91,82 mm
D2	101,6 mm
da min.	66,5 mm
da max	69 mm
Da max.	88,5 mm
ra max.	1 mm
Weight	0,412 Kg
Basic dynamic load rating (C)	29,5 kN
Basic static load rating (C0)	23,2 kN
(Grease) Lubrication Speed	7 100 r/min
(Oil) Lubrication Speed	8 500 r/min



## Shandong Zhaoyue Bearing Co., Ltd.

Category	Single Row Ball Bearings
Inventory	0.0
Manufacturer Name	NSK
Minimum Buy Quantity	N/A
Weight / Kilogram	0.415
EAN	0029176063237
Product Group	B00308
Enclosure	Open
Precision Class	ABEC 1   ISO P0
Maximum Capacity / Filling Slot	No
Rolling Element	Ball Bearing
Snap Ring	Yes
Internal Special Features	No
Cage Material	Steel
Internal Clearance	C0-Medium
Inch - Metric	Metric
Long Description	60MM Bore; 95MM Outside Diameter; 18MM Outer Race Width; Open; Ball Bearing; ABEC 1   ISO P0; No Filling Slot; Yes Snap Ring; No Internal Special Features; C0-Medium Internal Clearance; Steel Cage
Other Features	Deep Groove   With Snap Ring
Category	Single Row Ball Bearing
UNSPSC	31171504
Harmonized Tariff Code	8482.10.50.68
Noun	Bearing
Keyword String	Ball
Manufacturer URL	<a href="http://www.nskamericas.com">http://www.nskamericas.com</a>
Weight / LBS	0.9085



## Shandong Zhaoyue Bearing Co., Ltd.

Outer Race Width	0.709 Inch   18 Millimeter
Inner Race Width	0 Inch   0 Millimeter
Outside Diameter	3.74 Inch   95 Millimeter
Bore	2.362 Inch   60 Millimeter
SRI	5.34
hidYobi	6012NR
LangID	1
ro	0.6
D_	95
SREX	0.025
B_	18
da min	66.5
hidTable	ecat_NSRDGB
Oil rpm	8500
SRE	5.34
Cy	5
mass	0.412
GRS rpm	7100
ra	1
SRIX	0.025
D_a	88.5
SRIN	-0.025
C0	23.2
fo	15.6
SREN	-0.025
DE_	87.819
Prod_Type3	DGBB_SR_NR_OT
DA_	10.319
bomp	0
Z_	14
yobi	6012NR
Dx	103



## Shandong Zhaoyue Bearing Co., Ltd.

C_conv	29500
ALPHA_	0
SDM_	77.5
r	1.1
KBRG	6101
SBRG	10
DI_	67.181