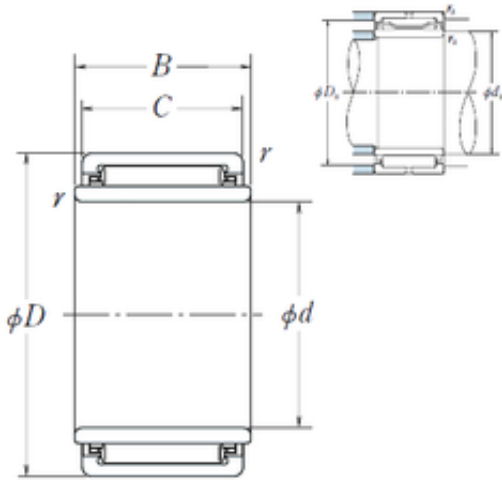




Shandong Zhaoyue Bearing Co., Ltd.

30 mm x 45 mm x 20,2 mm NSK LM354520
needle roller bearings

Bearing No. LM354520



LM354520 Bearing 2D drawings and 3D CAD models

Size	30x45x20.2 mm
Bore Diameter	30 mm
Outer Diameter	45 mm
Width	20,2 mm
d	30 mm
Fw	35 mm
D	45 mm
B	20,2 mm
C	20 mm
r min.	0,5 mm
da min.	34 mm
Da max.	41 mm
ra max.	0,5 mm
Weight	0,11 Kg
Basic dynamic load rating (C)	27,5 kN
Basic static load rating (C0)	42,5 kN
(Grease) Lubrication Speed	6300 r/min
hidYobi	LM354520
LangID	1
D_	45
B_	20.2
hidTable	ecat_NSMRNR
GRS rpm	6300
ra	0.5
da_min	34



Shandong Zhaoyue Bearing Co., Ltd.

d2	30
C0	42.5
C1_	20
DE_	42
SLR	15.8
Prod_Type3	NRB_S_LM
DA_	3.5
Z_	21
SI	35
yobi	LM354520
da_max	41
OIL rpm	10000
SDM_	38.5
r	0.5
KBRG	8352
mass2	0.11
B1	20.2