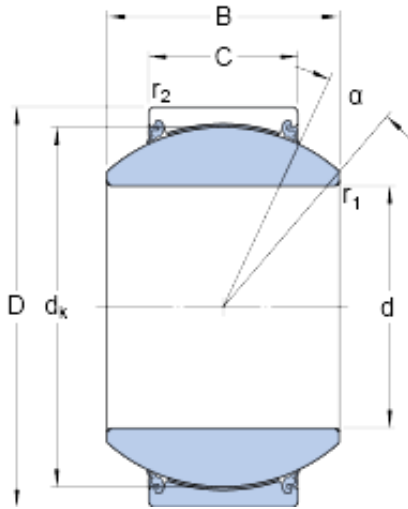




Shandong Zhaoyue Bearing Co., Ltd.



GEH 20 TXE-2LS Bearing 2D drawings and 3D CAD models

20 mm x 42 mm x 25 mm SKF GEH 20 TXE-2LS plain bearings

Bearing No. GEH 20 TXE-2LS

Size	42x20x25 mm
Bore Diameter	42 mm
Outer Diameter	20 mm
Width	25 mm
d	20 mm
D	42 mm
B	25 mm
C	16 mm
	17 °
d _k	35.5 mm
r ₁ - min.	0.3 mm
r ₂ - min.	0.6 mm
d _a - min.	22.9 mm
d _a - max.	25.2 mm
D _a - min.	36.9 mm
D _a - max.	39.2 mm
r _a - max.	0.3 mm
r _b - max.	0.6 mm
Basic dynamic load rating - C	137 kN
Basic static load rating - C ₀	228 kN
Specific factor dynamic load - K	300 N/mm ²
Specific factor static load - K ₀	500 N/mm ²
Lubricant	Maintenance free – dry



Shandong Zhaoyue Bearing Co., Ltd.

	Lubrication
Design (sliding contact surface combination)	Steel/PTFE fabric
Sealing solution	Triple-lip seals
	17 °
d_k	35.5 mm
r_1 min.	0.3 mm
r_2 min.	0.6 mm
d_a min.	22.9 mm
d_a max.	25.2 mm
D_a min.	36.9 mm
D_a max.	39.2 mm
r_a max.	0.3 mm
r_b max.	0.6 mm
Basic dynamic load rating C	137 kN
Basic static load rating C_0	228 kN
Specific dynamic load factor K	300 N/mm ²
Specific static load factor K_0	500 N/mm ²
Mass plain bearing	0.15 kg