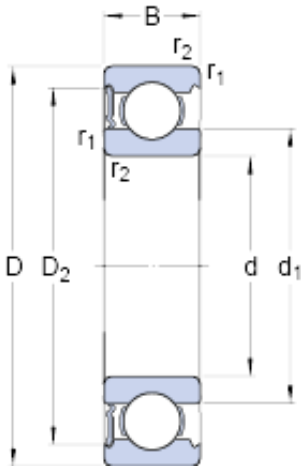




Shandong Zhaoyue Bearing Co., Ltd.



90 mm x 140 mm x 24 mm SKF 6018-RS1 deep groove ball bearings

Bearing No. 6018-RS1

6018-RS1 Bearing 2D drawings and 3D CAD models

Size	140x90x24 mm
Bore Diameter	140 mm
Outer Diameter	90 mm
Width	24 mm
d	90 mm
D	140 mm
B	24 mm
d ₁	105.95 mm
D ₂	128.3 mm
r _{1,2} - min.	1.5 mm
d _a - min.	97 mm
d _a - max.	105.9 mm
D _a - max.	133 mm
r _a - max.	1.5 mm
Basic dynamic load rating - C	60.5 kN
Basic static load rating - C ₀	50 kN
Fatigue load limit - P _u	2 kN
Limiting speed	2800 r/min
Calculation factor - k _r	0.025
Calculation factor - f ₀	15.6
d ₁	105.95 mm
D ₂	128.3 mm
r _{1,2} min.	1.5 mm
d _a min.	97 mm



Shandong Zhaoyue Bearing Co., Ltd.

d_a max.	105.9 mm
D_a max.	133 mm
r_a max.	1.5 mm
Basic dynamic load rating C	60.5 kN
Basic static load rating C_0	50 kN
Fatigue load limit P_u	1.96 kN
Calculation factor k_r	0.025
Calculation factor f_0	15.6
Mass bearing	1.17 kg