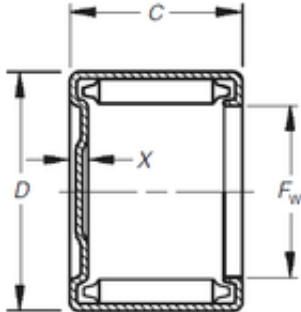




# Shandong Zhaoyue Bearing Co., Ltd.

## Timken M-881 needle roller bearings



Bearing No. M-881

Size	12.7x17.463x12.7 mm
Bore Diameter	12,7 mm
Outer Diameter	17,463 mm
Width	12,7 mm
F <sub>w</sub>	12,7 mm
D	17,463 mm
C	12,7 mm
C1	2,03 mm
Weight	0,01 Kg
Basic dynamic load rating (C)	9,61 kN
Basic static load rating (C0)	15,7 kN
(Grease) Lubrication Speed	3600 r/min

M-881 Bearing 2D drawings and 3D CAD models